



LAMINATED PADLOCKS



GUARDING THE WORLD FOR OVER 40 YEARS!

700 series - Laminated

- Laminated steel plates
- Hardened steel shackle
- Double locking shackle (except 730)
- Pick resistant mushroom pins
- Stainless steel springs
- Supplied with 2 keys

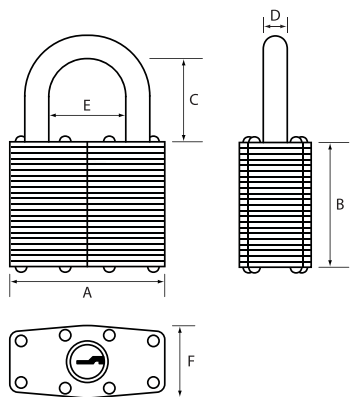
Options

- Keyed different (KD) padlocks are available in visual packaging as KDC
- Parts and accessories, see p. 4

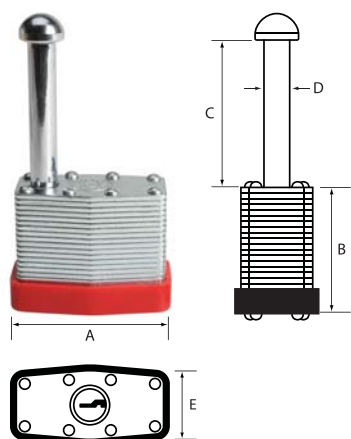
Keying options

KA - Keyed alike; multiple groups

KD - Keyed different



Model	Size	Pins	Case body dimensions* (A x B x F)	Shackle dimensions* Clearance (C x E)	Diameter (D)	Keying options	Per carton weight (kg / lbs)	(kg / lbs)
Single locking shackle								
730	30 (1 1/4")	3	30.6 x 26.4 x 17.5 (1 1/4" x 1" x 3/4")	16.9 x 14.2 (5/8" x 1/2")	5.0 (1/4")	KA, KD	12 ea (1.3 / 2.9)	216 ea (25.3 / 55.8)
Double locking shackle								
740	40 (1 1/2")	4	40.5 x 33.0 x 22.4 (1 5/8" x 1 1/4" x 7/8")	22.2 x 20.3 (7/8" x 3/4")	6.4 (1/4")	KA, KD	12 ea (2.7 / 5.9)	96 ea (22.8 / 50.0)
744	45 (1 3/4")	5	43.8 x 34.5 x 23.6 (1 3/4" x 1 3/8" x 7/8")	24.3 x 19.8 (1" x 3/4")	7.9 (1/4")	KA, KD	12 ea (3.3 / 7.3)	96 ea (27.9 / 61.4)
750	50 (2")	5	50.0 x 37.7 x 26.5 (2" x 1 1/2" x 1")	28.6 x 22.7 (1 1/8" x 7/8")	9.5 (3/8")	KA, KD	6 ea (2.4 / 5.3)	72 ea (30.2 / 66.4)



7443 model - Laminated utility

- Laminated steel plates
- Hardened steel shackle
- Pick resistant mushroom pins
- Stainless steel springs
- Supplied with 2 keys
- Many special security applications: snowmobiles, trailers, pumps, valves, handles, scaffold assemblies, vending machines and many more

Model	Size	Pins	Case body dimensions* (A x B x E)	Shackle dimensions* Clearance (C)	Diameter (D)	Keying options	Per carton weight (kg / lbs)	Per case
Single locking shackle								
7443KD	45 (1 3/4")	5	43.8 x 34.5 x 23.6 (1 3/4" x 1 3/8" x 7/8")	43.0 (1 3/4")	7.9 (1/4")	KD	10 ea (2.8 / 6.2)	120 ea (33.6 / 74.4)

* Measurements in mm (imperial measurements for reference only rounded off to 1/8")